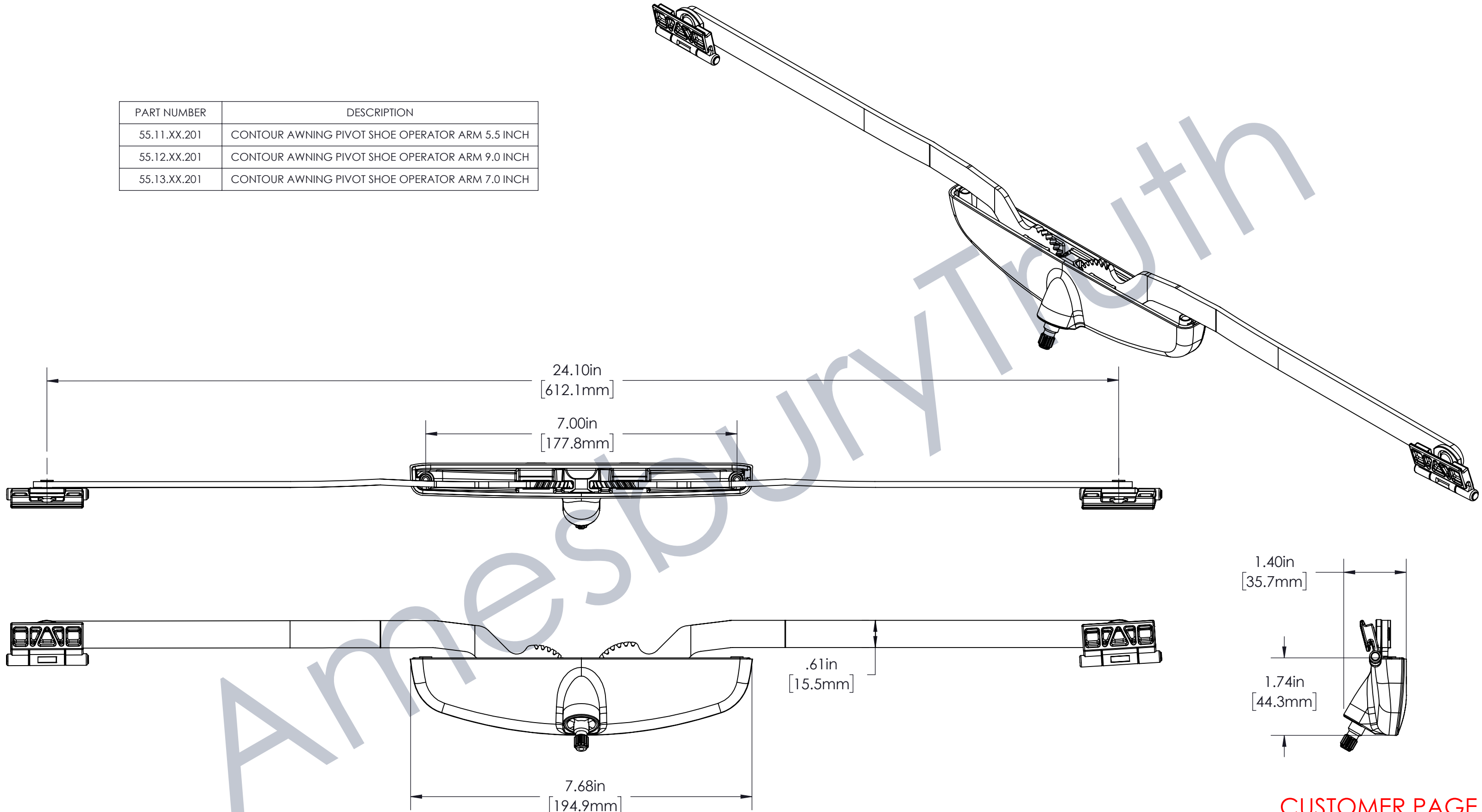
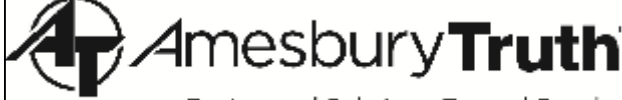
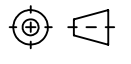


PART NUMBER	DESCRIPTION
55.11.XX.201	CONTOUR AWNING PIVOT SHOE OPERATOR ARM 5.5 INCH
55.12.XX.201	CONTOUR AWNING PIVOT SHOE OPERATOR ARM 9.0 INCH
55.13.XX.201	CONTOUR AWNING PIVOT SHOE OPERATOR ARM 7.0 INCH



CUSTOMER PAGE

 Amesbury Truth Engineered Solutions. Trusted Results.	INTERPRET PER: ASME Y14.5M-2009 UNITS: INCH	DRAWING TITLE: CONTOUR AWNING PIVOT SHOE OPERATOR ARM 11.0 INCH
	THIRD ANGLE PROJECTION 	SCALE: 1:2 DRAWING #: 55.10.XX.201

THE INFORMATION CONTAINED IN THIS DRAWING IS CONFIDENTIAL AND PROPRIETARY. THIS DRAWING IS NOT TO BE COPIED OR REPRODUCED IN WHOLE OR IN PART WITHOUT EXPRESS WRITTEN PERMISSION.